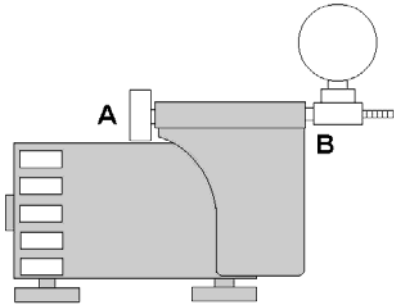
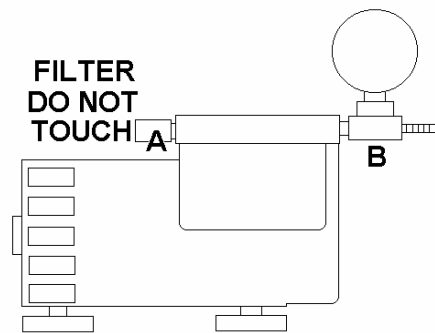


### Basic MegaVac Assembly



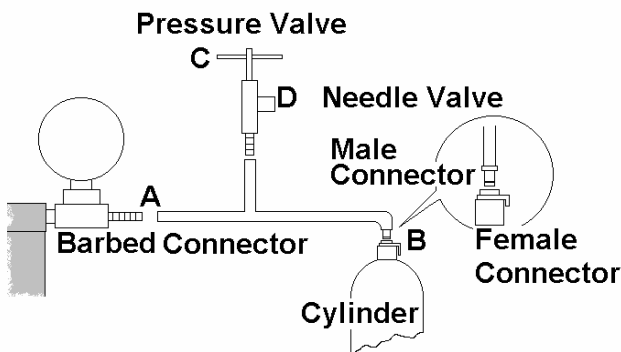
1. Place pump in front of you so that you are looking at it as in the diagram to the left.
2. Locate muffler (black threaded cap with clear cover) Screw muffler into pump **Diagram (A)**.
3. Locate gauge assembly with brass fitting. Screw gauge into the pump **Diagram (B)**.

### Premium MegaVac Assembly



1. Place pump in front of you so that you are looking at it as in the diagram to the left.
2. **Do Not Touch Filter** on pump **Diagram (A)**.
3. Locate gauge assembly with brass fitting. Screw gauge into the pump **Diagram (B)**.

### Tubing Assembly



1. Slip open end of hosing onto the barbed connector until it is securely attached. **Diagram (A)**.
2. Slip end of hosing with male connector into the female connector of cylinder **Diagram (B)**.
3. Adjust Pump Pressure With Pressure Valve **Diagram (C)**.
4. The needle valve or carburetor is used to make the pressure fluctuate for stimulation **Diagram (D)**.

**CAUTION:** Test pressure on hand or abdomen prior to placing cylinder over penis. Use minimum pressure only and read instructions **COMPLETELY** before using. Never exceed -10 of pressure as indicated on gauge. If swelling occurs reduce pressure.

---

## Before Your Pump Session

---

- Familiarize yourself with the pump and how to operate, knowing where the quick release valve is. This is the silver latch on the connection valve at the top of the cylinder.
- **DO NOT EJACULATE** for several hours prior to or during a session. This allows maximum expansion without swelling the penis.
- Trim or shave your pubic hair at the base of your penis several hours prior.
- Warm your body, penis and scrotum. This will relax the tissue and draw blood into the vessels. A warm bath, shower, sauna or Jacuzzi is recommended. You may also use a heating pad. **KEEP ELECTRIC PUMPS AWAY FROM WATER.**
- Massage and gently stretch the penis and scrotum for 3 to 5 minutes.
- Generously lubricate the head, shaft and base of the penis. For a secure seal, apply a lubricant directly on the pubic hair. Always use an oil-based lubricant such as mineral oil or petroleum jelly.
- You must be semi or fully erect to begin using the system. Having a visual stimulant handy or a creative imagination is helpful.

---

## Now You Are Ready To Begin

---

- Turn the power switch of the pump to the **ON** position. Make sure that a firm suction is being produced. This can be tested by placing the cylinder against your stomach momentarily.
- Place your erect lubricated penis in the 1<sup>st</sup> cylinder (penis and scrotum when using the 2<sup>nd</sup> cylinder.)
- Turn the connection valve clockwise to increase the pressure (counter-clockwise to decrease pressure.)
- Gradually increase the pressure in the cylinder to **-5 to -10** depending how long you have been using the system. **DO NOT EXCEED -10 IN PRESSURE.** You should never feel pain or discomfort. If swelling, discoloration or pain occurs, release the pressure immediately and discontinue pump usage for at least 48 hours.
- Continue the session for the scheduled time (see PUMP SCHEDULE.) During the session, massage and re-lubricate the penis and scrotum every 10-15 minutes. This will circulate the blood flow in the penis.
- During the final 3 minutes of using the first cylinder, increase the pressure by 2 to 3 mercury inches of power but not to exceed -10.
- Once you have completed using both the 1<sup>st</sup> and 2<sup>nd</sup> Expansion cylinders, you can now use the Head Enlarger and/or Foreskin Enlarger, following the instructions listed under **ADDITIONAL INFORMATION.**
- When the session is complete, turn connection valve counter-clockwise to release pressure, remove penis from cylinder and turn off power to vacuum pump.
- Wash your penis and urinate after each pump session. Itching may occur if you do not clean all lubricated areas thoroughly.
- Secure the Penis Strap around the penis and scrotum. The strap should be worn for 45 minutes to an hour after the pump session. This allows the penis to remain semi-erect after the session by maintaining a fair amount of blood in the penis to assist in the enlargement process.

---

## Pump Schedule

---

Most people find that pumping three times per week fits best into their lifestyle. To follow this schedule, use all cylinders on the same day **every other day** for the duration listed below. This is the best approach as it gives the penile tissue a day between pump sessions to recuperate and rebuild. To do the program five times per week, use the 1<sup>st</sup> cylinder on Day One, the 2<sup>nd</sup> cylinder along with head and/or foreskin enlarger on Day Two for the duration listed below. Rest on Day Three then repeat the schedule accordingly. Follow the pumping durations as listed below so that the increase in pump time and pressure is gradual over a period of time. Increase the pressure by 2 mercury inches on the weeks listed below but **ONLY** if it is comfortable to do so. **Remember never exceed -10 in pressure.**

### Weeks 1 thru 4

1st Cylinder pump for 10 minutes – massage - pump for 10 minutes.

2nd Cylinder pump for 10 minutes – massage - pump for 10 minutes.

Head & Foreskin Enlarger pump for 15 minutes.

### Weeks 5 thru 8

**(increase pressure by 2 mercury inches if comfortable to do so)**

1st Cylinder pump for 15 minutes – massage - pump for 15 minutes.

2nd Cylinder pump for 15 minutes – massage - pump for 15 minutes.

Head & Foreskin Enlarger pump for 20 minutes.

### Weeks 9 thru 12

1st Cylinder pump for 15 minutes – massage - pump for 15 minutes - massage - pump for 10 minutes.

2nd Cylinder pump for 15 minutes – massage - pump for 15 minutes - massage - pump for 10 minutes.

Head & Foreskin Enlarger pump for 25 minutes.

### Weeks 13 and Longer

**(increase pressure by 2 mercury inches if comfortable to do so)**

1st Cylinder pump for 15 minutes – massage - pump for 15 minutes - massage - pump for 15 minutes.

2nd Cylinder pump for 15 minutes – massage - pump for 15 minutes - massage - pump for 15 minutes.

Head & Foreskin Enlarger pump for 25 minutes.

By continuing this program, you will be successful and should see permanent results in the flaccid state within 4-6 weeks, permanent results in an erect state within 3-4 months and reach your maximum potential within 10-12 months. Please understand that the time periods given are the average results from our research and that your results may vary.

---

## Additional Information

---

- Recently Dr. Kaplan has developed an all-natural herbal supplement called **Vascular Dialators**. Taken twice a day, this supplement allows blood to flow more freely through the penis during a pump session to increase the enlargement results.
- Vitamin C and Zinc are highly recommended to assist in tissue rebuilding.

- If you experience swelling after a pump session, it can be caused by any of 4 following scenarios.
  1. You are not fully erect when beginning the pump session.
  2. Using too much pressure. Try reducing the pressure slightly.
  3. Pumping in the same cylinder for more than 15 minutes
  4. Not properly massaging the penis after pumping.
- During the session, try wrapping a heating pad around the cylinder to maintain heat.
- For maintaining maximum enlargement size after completion of this program, use the pump once a month for 30 minutes.
- Cylinders can be cleaned with a mild non-abrasive (preferably anti-bacterial) soap. Always use clean cylinders. Do not share dirty cylinders with friends.
- If you are experiencing excessive noise during use, place the unit on a carpeted floor or towel. You can also purchase a foam cooler, punch holes in it to allow ventilation and the cord/tubes to come through and operate with the lid closed.
- **Head Enlarger** – Generously lubricate the head of penis, your fingers and the rim of the cylinder. While fully erect, wrap your fingers around the base of the head (your fingers should be generously lubed,) place the cylinder over the head so the rim comes in contact with your fingers and begin pumping, using moderate pressure. The purpose of wrapping your fingers around the base of the head is to ensure a solid vacuum during pumping. See program for pump schedule.
- **Foreskin Suction Unit** – Generously lubricate the area, wrap your foreskin over the plexi-glass ball, insert into cylinder and begin pumping, using moderate pressure for 15 minutes. See program for pump schedule.

---

### Warning

---

This Medical Vacuum Pump System is **NOT** a toy. The system that can maintain high levels of pressure, which if improperly used can result in injury. Read all instructions thoroughly before using. **NEVER EXCEED A PRESSURE OF -10**. Never use the same cylinder twice within a 24-hour period. This will allow the tissue time to relax and rebuild. Individuals who had penis surgery (or other surgery in the abdominal area) within the past six months or have an implant should consult a physician before using. **Avoid taking aspirin, blood thinning drugs or Viagra ® several hours prior to a pump session.** If you are using the device for Erectile Dysfunction, please consult a physician prior to using to avoid a potential harmful delay in diagnosing any other possible cause.